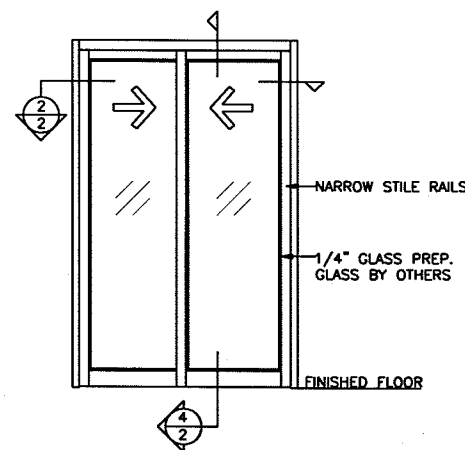


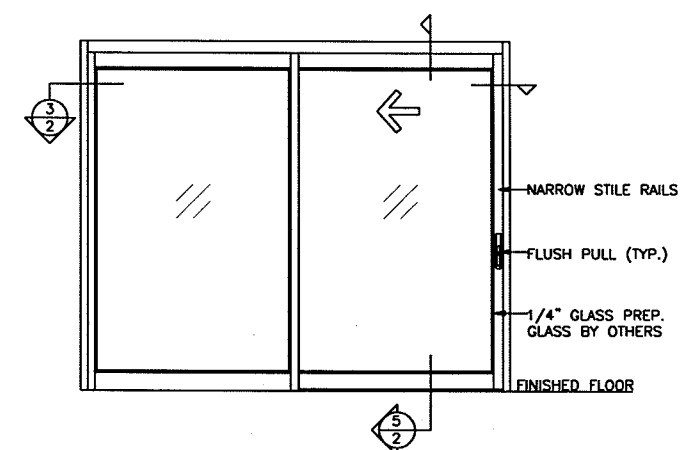
EXTERIOR ELEVATION

SCALE : 1/4" = 1'-0"  
 ONE (1) UNIT REQUIRED AS SHOWN (X-X-X-X-X-X)  
 DOOR #SG040A



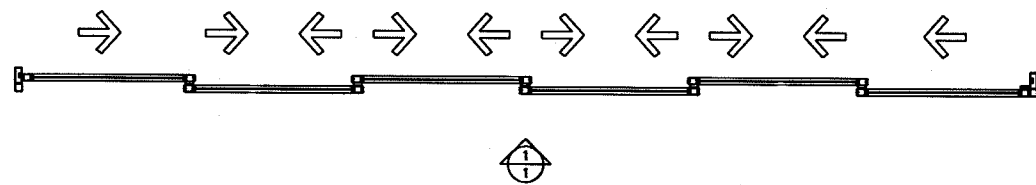
EXTERIOR ELEVATION

SCALE : 1/4" = 1'-0"  
 ONE (1) UNIT REQUIRED AS SHOWN (X-X)  
 DOOR #SG040B



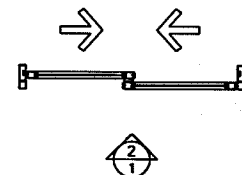
EXTERIOR ELEVATION

SCALE : 1/4" = 1'-0"  
 ONE (1) UNIT REQUIRED AS SHOWN (O-X)  
 DOOR #SG045



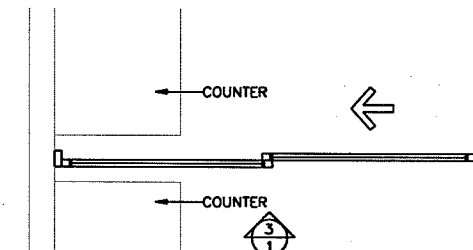
TYPICAL PLAN VIEW

SCALE : 1/4" = 1'-0"  
 ONE (1) UNIT REQUIRED AS SHOWN (X-X-X-X-X-X)  
 DOOR #SG040A



TYPICAL PLAN VIEW

SCALE : 1/4" = 1'-0"  
 ONE (1) UNIT REQUIRED AS SHOWN (X-X)  
 DOOR #SG040B



TYPICAL PLAN VIEW

SCALE : 1/4" = 1'-0"  
 ONE (1) UNIT REQUIRED AS SHOWN (O-X)  
 DOOR #SG045

MATERIAL LIST:

TWELVE (12) 4140-XX HORTON SERIES 4000 TRANSOM MOUNTED AUTOMATIC SWING DOOR OPERATORS:  
 ONE (1) EA. DOUBLE EGRESS APPLICATION  
 NINE (9) EA. DUAL APPLICATION WITH REGULAR ARMS (PUSH SIDE MOUNT)  
 TWO (2) EA. 48" SINGLE APPLICATION WITH REGULAR ARMS (PUSH SIDE MOUNT)  
 CLEAR FINISH ON COVER & LINKAGE

TWENTY-TWO (22) 59-P PUSH PLATE SWITCHES WITH "PRESS TO OPERATE" FACEPLATE  
 THIRTEEN (13) EL8852 BODYGUARD PRESENCE DETECTORS ON SWING SIDE OF DOORS FOR SAFETY  
 SEVEN (7) LK5000 LOCK CONTROLS TO INTERFACE WITH ELECTRIC STRIKES OR PANIC DEVICES

TWO (2) MODEL 0100 HORTON SERIES 0100 MANUAL SLIDING DOOR SYSTEMS  
 CUSTOM BI-DIRECTIONAL SLIDING DOORS  
 NARROW STILE ALUMINUM DOORS WITH MUNTIN  
 FLUSH PULLS  
 ONE (1) EA. TWO (2) PANEL UNIT (X-X) @ 40B  
 ONE (1) EA. SIX (6) PANEL UNIT (X-X-X-X-X-X) @ 40A  
 (204-R1) CLEAR ANODIZED FINISH  
 1/4" GLASS PREPARATION  
 LOW PROFILE HEADER 2 1/2" HIGH WITH 4" WIDE FRAME

ONE (1) MODEL 0100 HORTON SERIES 0100 MANUAL SLIDING DOOR SYSTEM (SG045)  
 TWO (2) PANEL (O-X)  
 SINGLE SLIDE WITH UP TO 48" DOOR SLIDE OPENING  
 NARROW STILE ALUMINUM DOORS WITH MUNTIN  
 FLUSH PULLS  
 (204-R1) CLEAR ANODIZED FINISH  
 1/4" GLASS PREPARATION  
 LOW PROFILE HEADER 2 1/2" HIGH WITH 7" WIDE FRAME

THE FOLLOWING IS NOT INCLUDED AND MUST BE FURNISHED AND INSTALLED BY OTHERS:

1. ALL OTHER MATERIAL OR SERVICES NOT LISTED ABOVE.
2. PROVIDE 120 VOLT ELECTRIC WIRING INTO EACH OPERATOR.
3. SWING DOORS, FRAMES OR DOOR HARDWARE.
4. PREPARATION OF THE OPENINGS.
5. MOUNTING BOXES & WIRING FROM ALL SWITCHES INTO EACH OPERATOR.

DOOR SCHEDULE

| DOOR # | DOOR TYPE   | DOOR/FRAME SIZE        | ROUGH OPENING SIZE    | NOTES                    |
|--------|-------------|------------------------|-----------------------|--------------------------|
| SG001A | LHR-RH      | (2) 3'-0" X 7'-0"      | N/A                   | PP'S                     |
| SG001B | LHR-RHR     | (2) 3'-0" X 7'-0"      | N/A                   | PP'S                     |
| SG012  | LHR-RHR     | (2) 3'-8" X 7'-0"      | N/A                   | CR & PP                  |
| SG016  | LHR-RHR     | (2) 3'-0" X 7'-0"      | N/A                   | PP'S                     |
| SG029  | LHR-RHR     | (2) 3'-0" X 7'-0"      | N/A                   | PP'S                     |
| SG030  | LHR-RHR     | (2) 3'-8" X 7'-0"      | N/A                   | PP'S                     |
| SG034  | LHR-RHR     | (2) 3'-0" X 7'-0"      | N/A                   | PP'S                     |
| SG036  | LHR-RHR     | (2) 2'-6" X 7'-0"      | N/A                   | PP'S                     |
| SG040A | X-X-X-X-X-X | 20'-3 1/2" X 7'-2 1/2" | 20'-4" X 7'-2 3/4"    |                          |
| SG040B | X-X         | 4'-8" X 7'-2 1/2"      | 4'-8 1/2" X 7'-2 3/4" |                          |
| SG041  | RHR         | 4'-0" X 7'-0"          | N/A                   | LEAD LINED - CR & PP     |
| SG045  | O-X         | 7'-6" X 7'-2 1/2"      | 7'-6 1/2" X 7'-2 3/4" |                          |
| SG046B | LHR-RHR     | (2) 3'-8" X 7'-0"      | N/A                   | PP'S                     |
| SG047A | LHR         | 4'-0" X 7'-0"          | N/A                   | LEAD LINED - KEYPAD & PP |
| SG063A | LHR-RHR     | (2) 3'-8" X 7'-0"      | N/A                   | CR & PP                  |

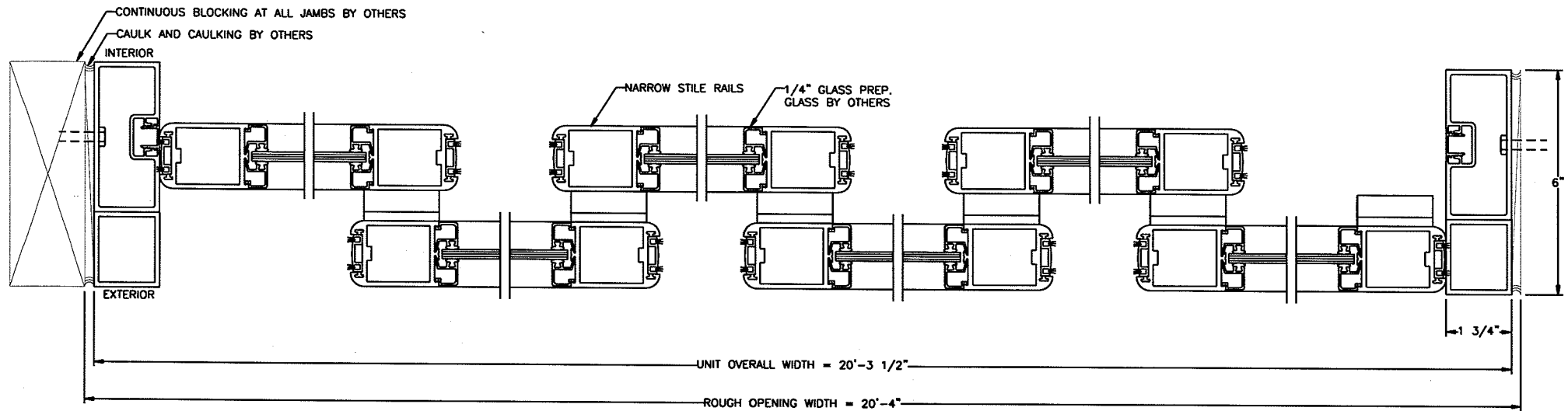
DATE : AS NOTED  
 SCALE : AS NOTED  
 FILENAME :  
 JOB NUMBER :  
 DRAWN BY :  
 APPROVED BY :  
 SHEET 1 OF 1

CUSTOM TITLE BLOCK

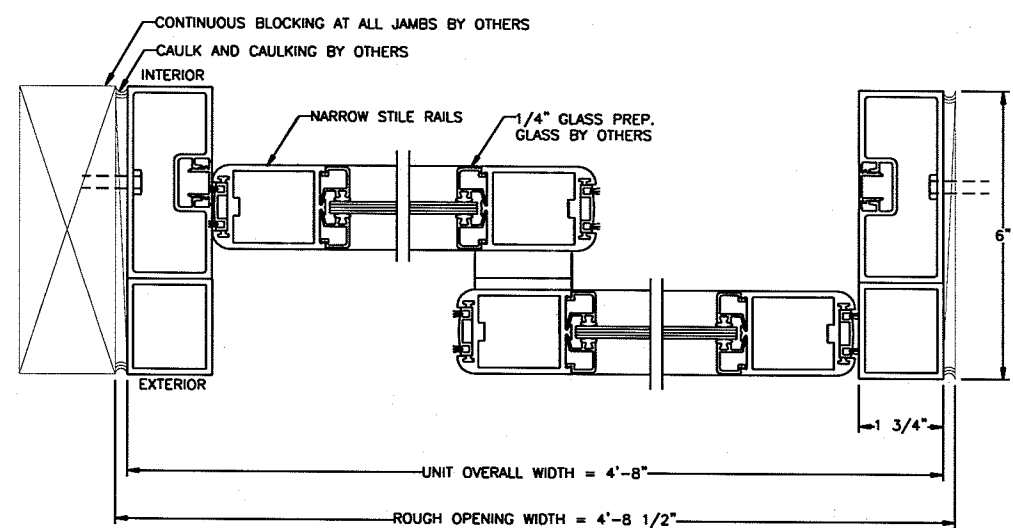
REVISIONS

ARCHITECT  
 NAME  
 ADDRESS  
 CITY, STATE, ZIP  
 GENERAL CONTRACTOR  
 NAME  
 ADDRESS  
 CITY, STATE, ZIP

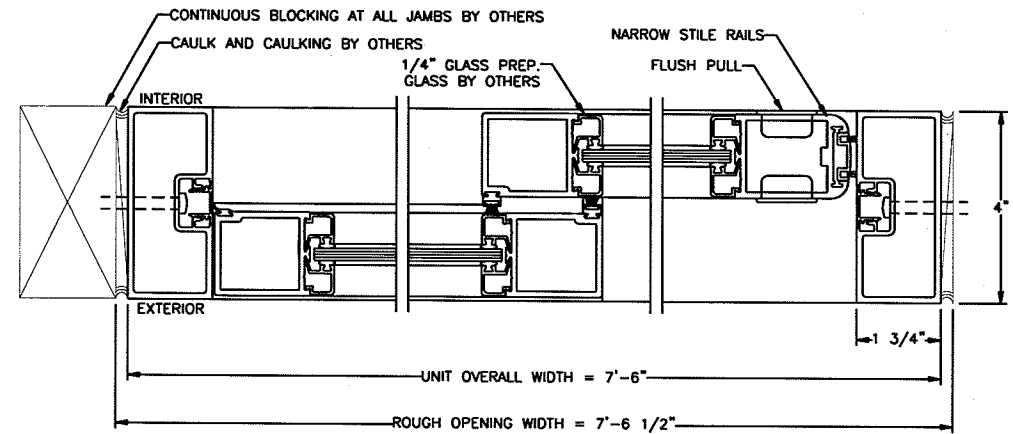
JOB TITLE  
 JOB AREA  
 JOB ADDRESS  
 CITY, STATE, ZIP



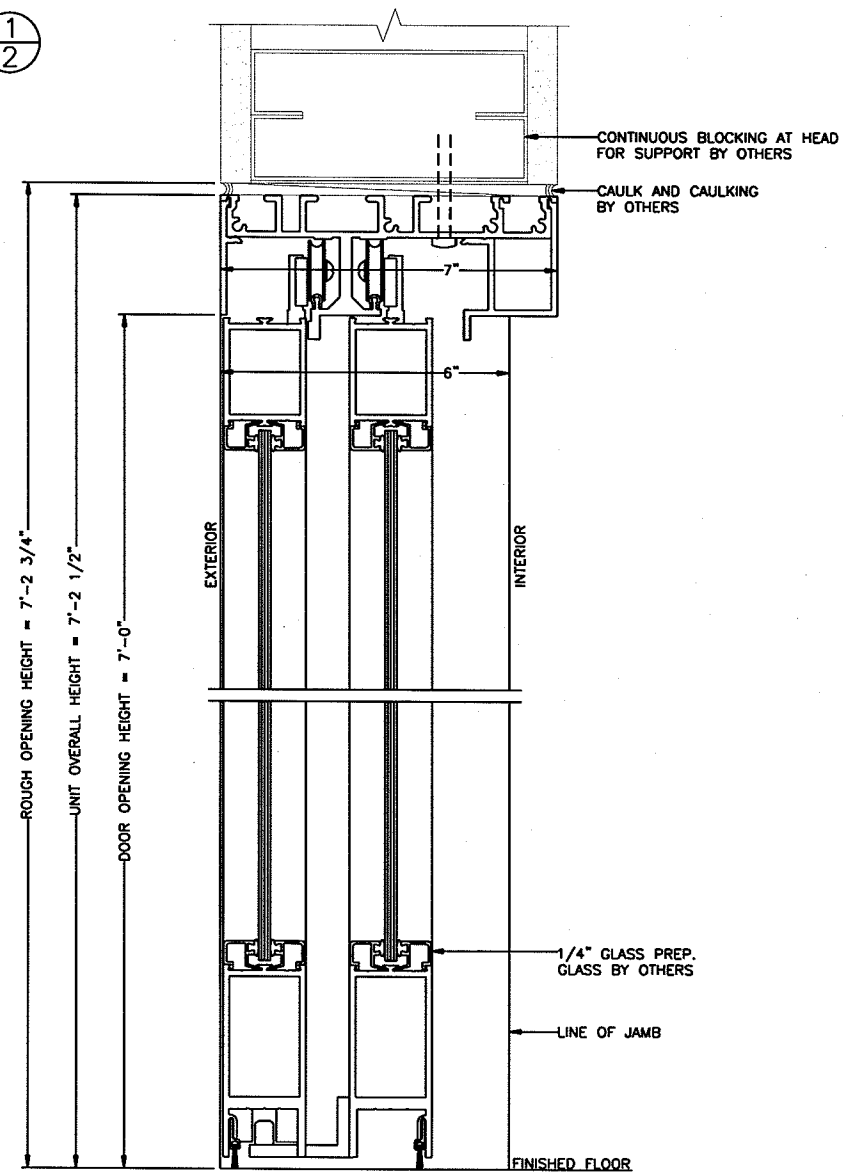
HORIZONTAL SECTION  
QUARTER SIZE



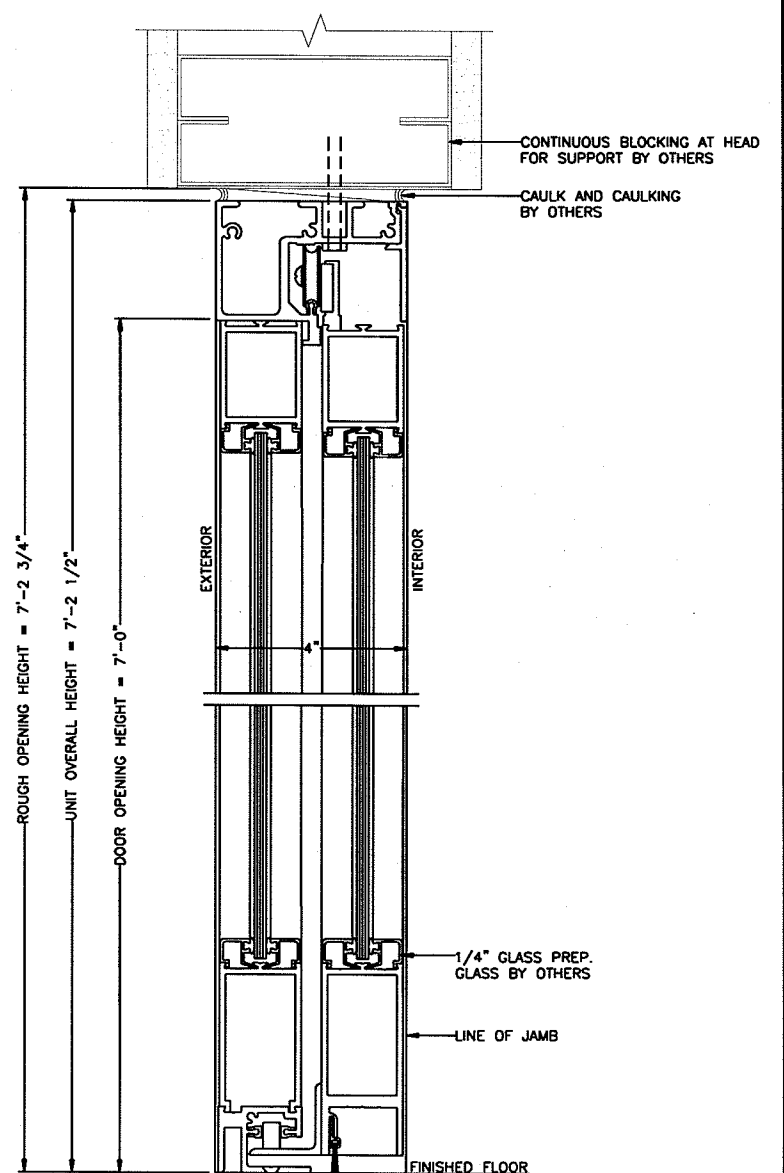
HORIZONTAL SECTION  
QUARTER SIZE



HORIZONTAL SECTION  
QUARTER SIZE



VERTICAL SECTION  
QUARTER SIZE  
DOOR SHOWN IN OPEN POSITION



VERTICAL SECTION  
QUARTER SIZE  
DOOR SHOWN IN OPEN POSITION

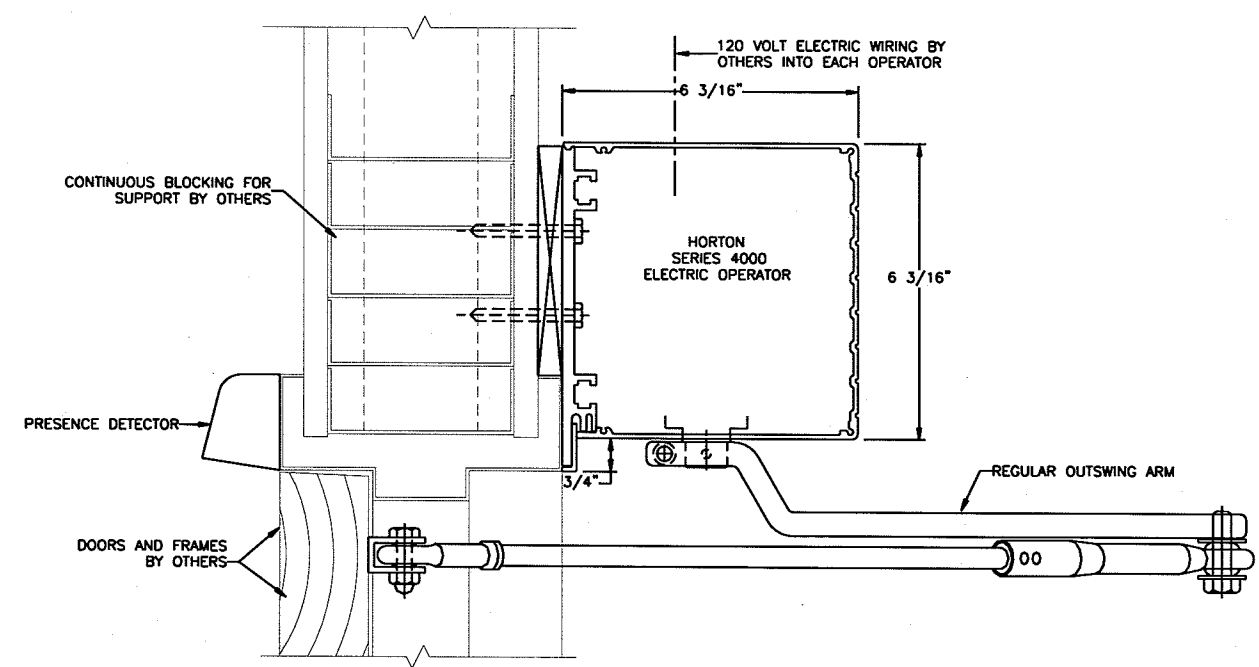
|              |                  |
|--------------|------------------|
| DATE :       | SCALE : AS NOTED |
| FILENAME :   | JOB NUMBER :     |
| DRAWN BY :   | APPROVED BY :    |
| SHEET 1 OF 1 |                  |

**CUSTOM TITLE BLOCK**

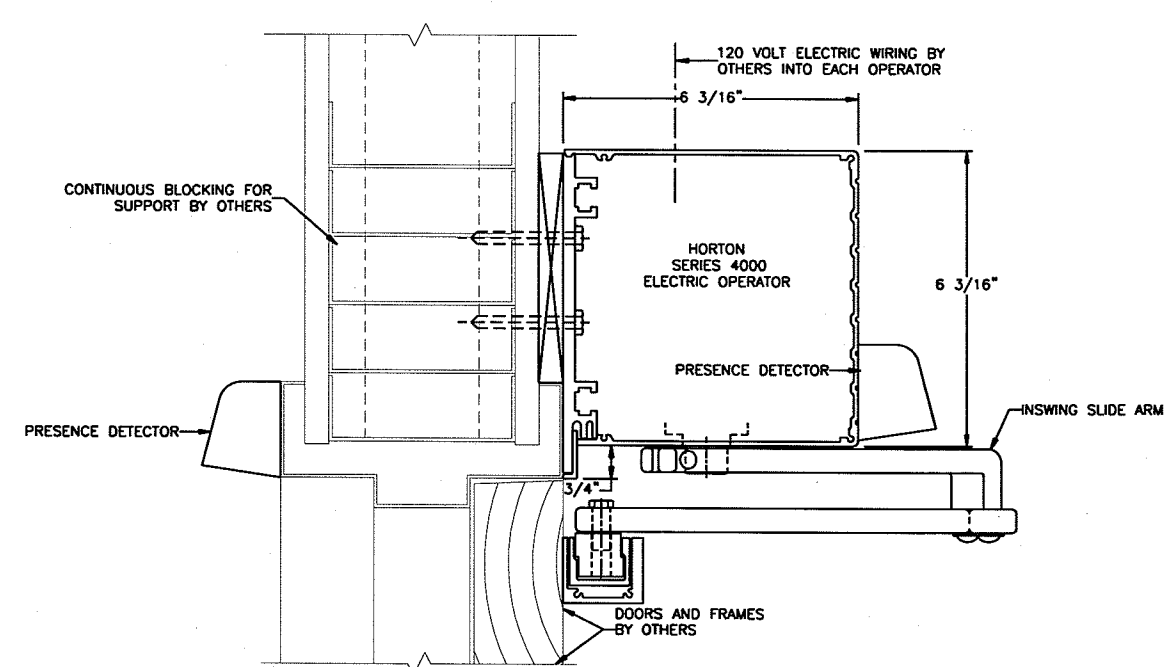
|           |
|-----------|
| REVISIONS |
|           |
|           |
|           |

|                    |
|--------------------|
| ARCHITECT          |
| NAME               |
| ADDRESS            |
| CITY, STATE, ZIP   |
| GENERAL CONTRACTOR |
| NAME               |
| ADDRESS            |
| CITY, STATE, ZIP   |

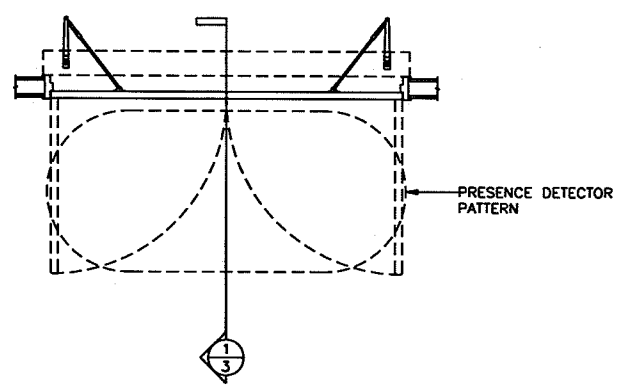
|                  |
|------------------|
| JOB TITLE        |
| JOB AREA         |
| JOB ADDRESS      |
| CITY, STATE, ZIP |



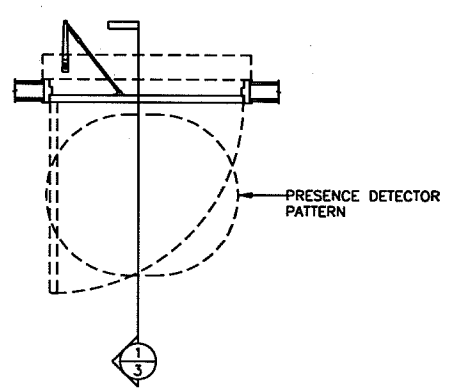
**VERTICAL SECTION** ①  
 QUARTER SIZE  
 ELEVEN (11) UNITS REQUIRED AS SHOWN  
 NINE (9) LHR-RHR - ONE (1) LHR & ONE (1) RHR  
 SEE DOOR SCHEDULE FOR LOCATIONS



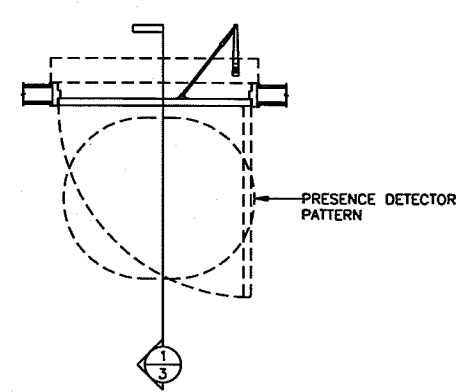
**VERTICAL SECTION** ①  
 QUARTER SIZE  
 ONE (1) UNITS REQUIRED AS SHOWN LHR-RH  
 SEE DOOR SCHEDULE FOR LOCATIONS



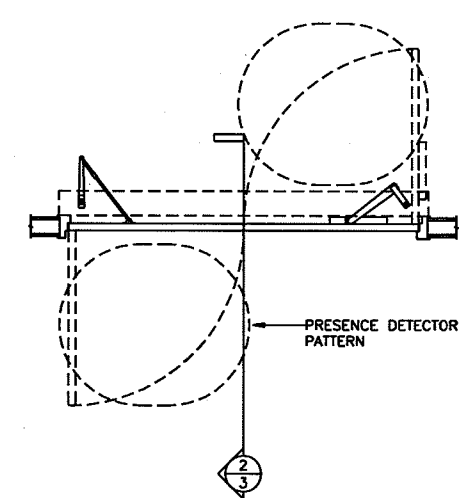
**TYPICAL LHR-RHR PLAN VIEW** ③  
 SCALE : N.T.S.  
 NINE (9) UNITS REQUIRED AS SHOWN  
 SEE DOOR SCHEDULE FOR LOCATIONS



**TYPICAL LHR PLAN VIEW** ④  
 SCALE : N.T.S.  
 ONE (1) UNIT REQUIRED AS SHOWN  
 SEE DOOR SCHEDULE FOR LOCATIONS



**TYPICAL RHR PLAN VIEW** ⑤  
 SCALE : N.T.S.  
 ONE (1) UNIT REQUIRED AS SHOWN  
 SEE DOOR SCHEDULE FOR LOCATIONS



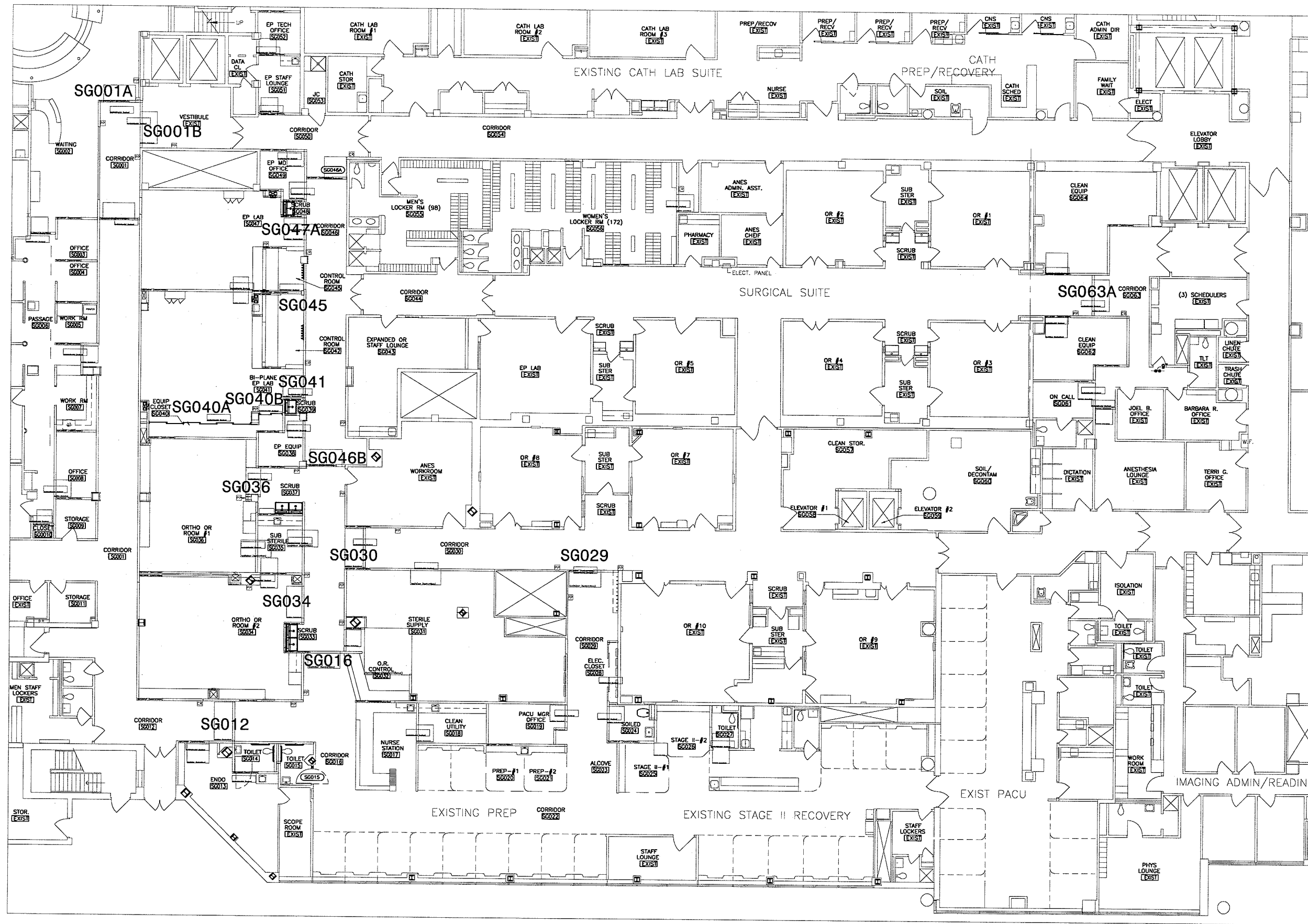
**TYPICAL LHR-RH PLAN VIEW** ⑥  
 SCALE : N.T.S.  
 ONE (1) UNIT REQUIRED AS SHOWN  
 SEE DOOR SCHEDULE FOR LOCATIONS

**CUSTOM TITLE BLOCK**

|           |
|-----------|
| REVISIONS |
|           |
|           |
|           |

|           |                    |
|-----------|--------------------|
| ARCHITECT | NAME               |
|           | ADDRESS            |
|           | CITY, STATE, ZIP   |
|           | GENERAL CONTRACTOR |
|           | NAME               |
|           | ADDRESS            |
|           | CITY, STATE, ZIP   |

**JOB TITLE**  
**JOB AREA**  
**JOB ADDRESS**  
**CITY, STATE, ZIP**



PARTIAL FLOOR PLAN  
 SCALE : N.T.S.  
 FOR DOOR LOCATION PURPOSES ONLY

DATE :  
 SCALE : AS NOTED  
 FILENAME :  
 JOB NUMBER :  
 DRAWN BY :  
 APPROVED BY :  
 SHEET 1 OF 1

CUSTOM TITLE BLOCK

REVISIONS

ARCHITECT  
 NAME  
 ADDRESS  
 CITY, STATE, ZIP  
 GENERAL CONTRACTOR  
 NAME  
 ADDRESS  
 CITY, STATE, ZIP

JOB TITLE  
 JOB AREA  
 JOB ADDRESS  
 CITY, STATE, ZIP