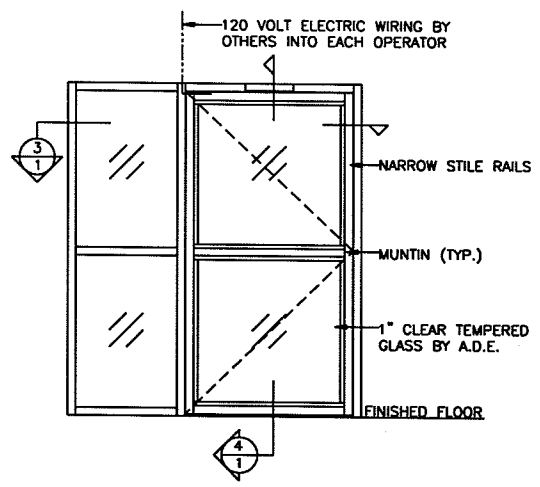


CUSTOM TITLE BLOCK

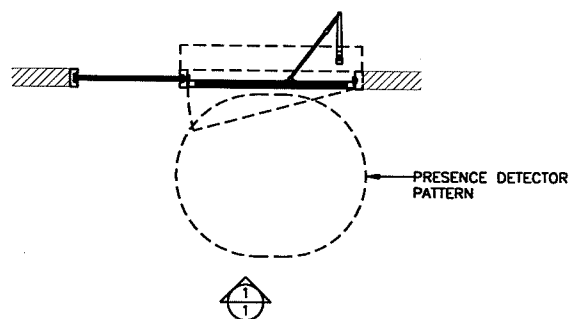
REVISIONS	△	△	△	△
-----------	---	---	---	---

ARCHITECT	NAME	ADDRESS	CITY, STATE, ZIP
GENERAL CONTRACTOR	NAME	ADDRESS	CITY, STATE, ZIP

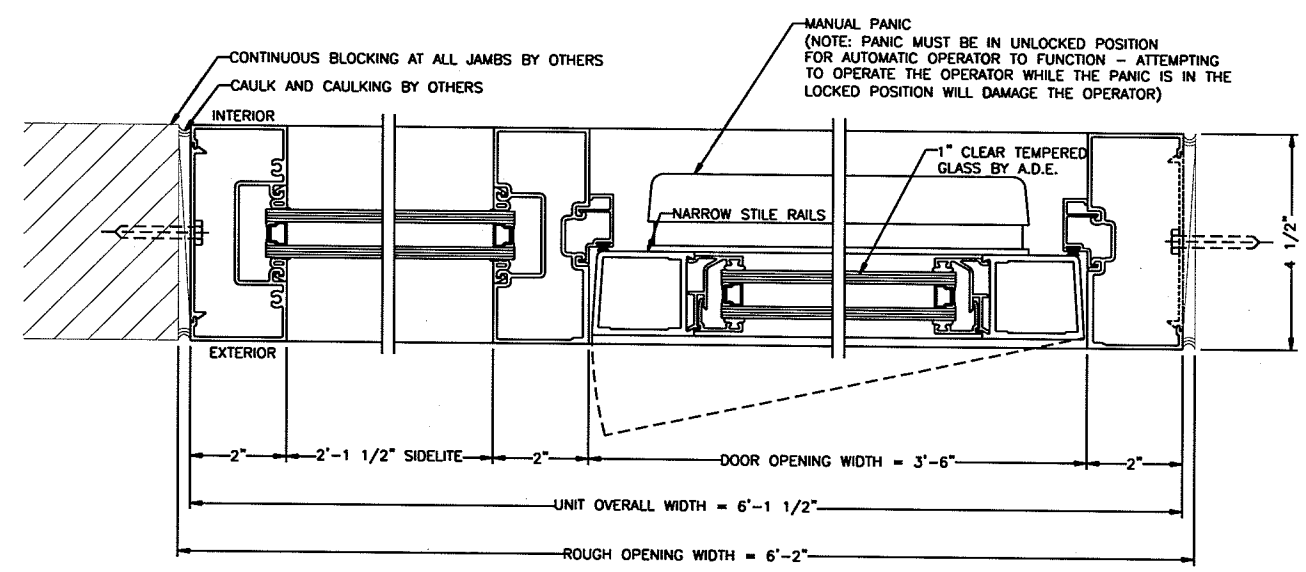
JOB TITLE	JOB AREA	JOB ADDRESS	CITY, STATE, ZIP
-----------	----------	-------------	------------------



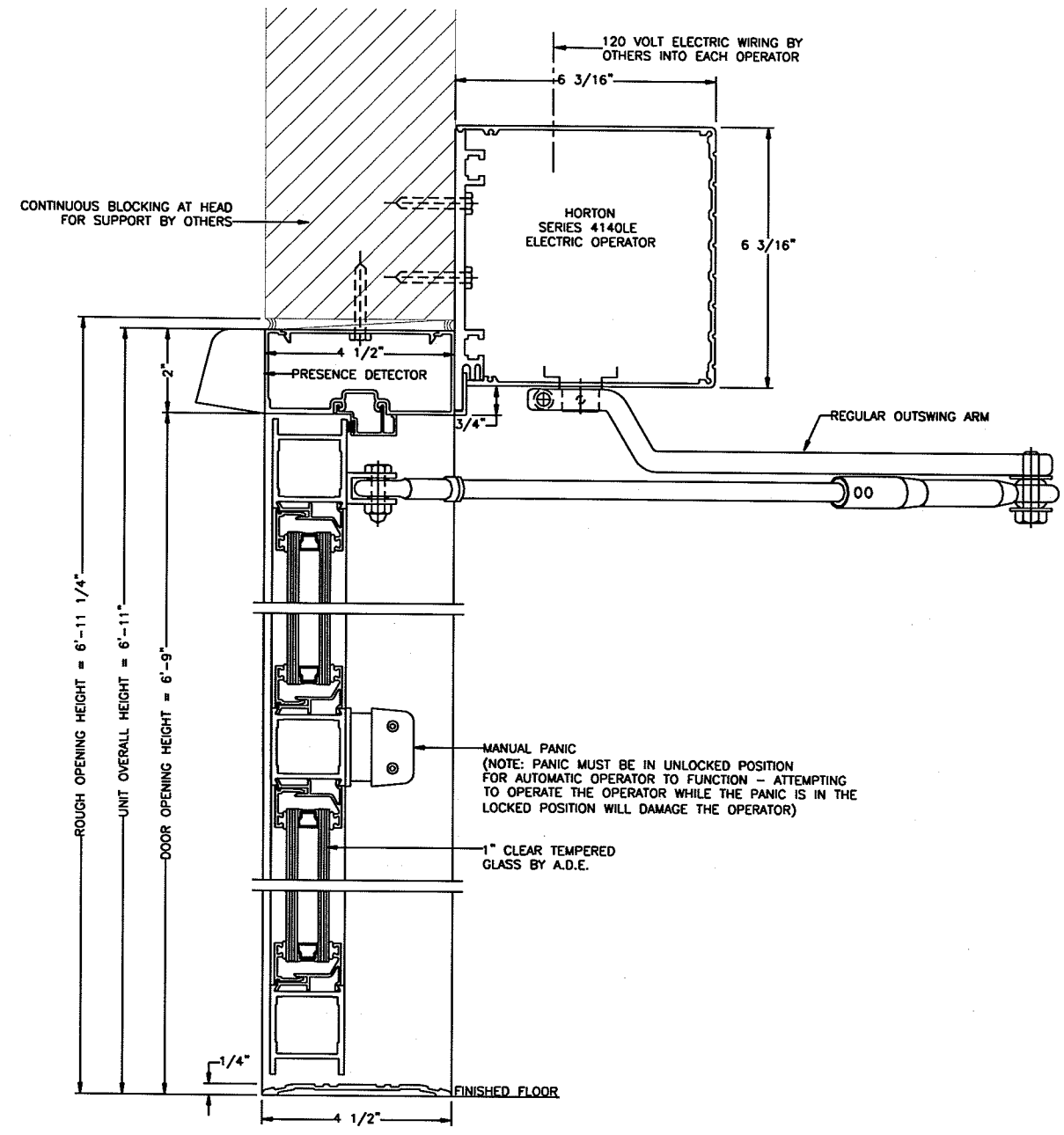
EXTERIOR ELEVATION ①
 SCALE : 1/4" = 1'-0"
 ONE (1) UNIT REQUIRED AS SHOWN (O//RHR)



TYPICAL PLAN VIEW ②
 SCALE : 1/4" = 1'-0"
 ONE (1) UNIT REQUIRED AS SHOWN (O//RHR)



HORIZONTAL SECTION ③
 QUARTER SIZE



VERTICAL SECTION ④
 QUARTER SIZE

- MATERIAL LIST:**
- ONE (1) MODEL 500 MANUAL SWING DOOR PACKAGE RHR
 42" NARROW STILE DOOR WITH MUNTIN
 FIXED SIDELITE WITH MUNTIN
 MANUAL PANIC DEVICE WITH KEY FOR LOCKING AFTER HOURS
 DARK BRONZE FINISH ON DOOR AND FRAMES
 1" CLEAR TEMPERED GLASS IN ALL PANELS
 - ONE (1) MODEL 4140LE-42" HORTON SERIES 4000LE TRANSOM MOUNTED AUTOMATIC SWING DOOR OPERATOR RHR
 REGULAR ARM APPLICATION
 LOW ENERGY FOR HANDICAP ACCESS
 DARK BRONZE FINISH ON COVERS AND LINKAGE

- ONE (1) RL5000 TUBULAR ALUMINUM GUIDE RAIL WITH 59P PUSH PLATE (EXTERIOR)
- ONE (1) 619HSS JAMB MOUNTED PUSH PLATE WITH HANDICAP LOGO & "PRESS TO OPERATE"
- ONE (1) EL8852 PRESENCE DETECTOR FOR SAFETY ON THE SWING SIDE OF THE DOOR

THE FOLLOWING IS NOT INCLUDED AND MUST BE FURNISHED AND INSTALLED BY OTHERS:

1. ALL OTHER MATERIAL OR SERVICES NOT LISTED ABOVE.
2. PROVIDE 120 VOLT ELECTRIC WIRING INTO EACH OPERATOR.
3. PREPARATION OF THE OPENINGS.