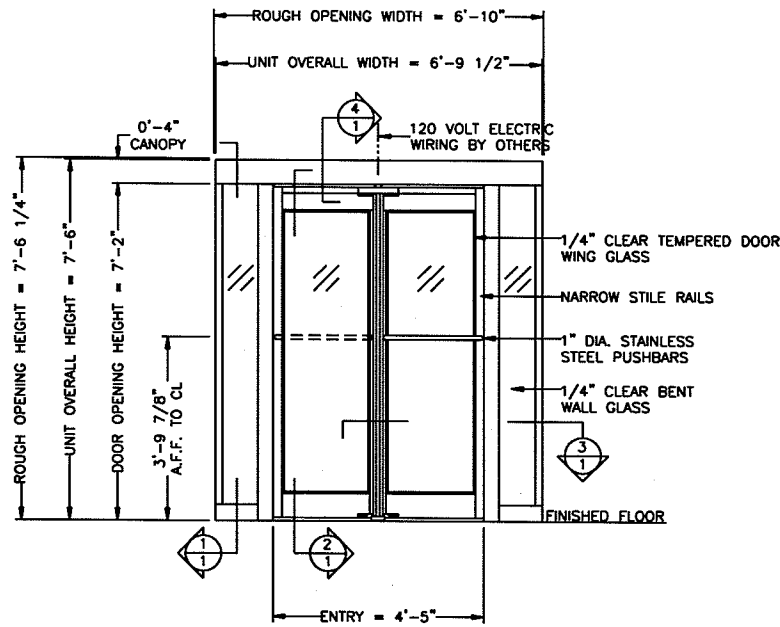
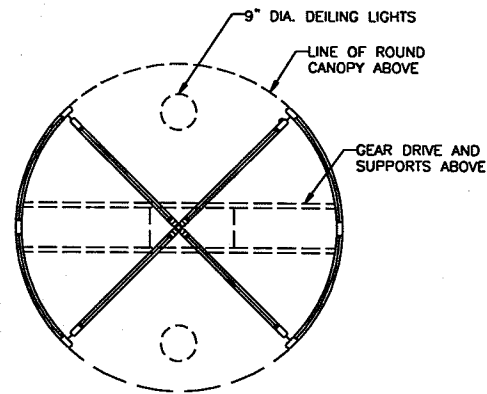


• ADJACENT CONSTRUCTION NOT SHOWN FOR CLARITY



ELEVATION / PLAN VIEW

SCALE : N.T.S.
ONE (1) UNIT REQUIRED AS SHOWN



MATERIAL LIST:

ONE (1) HORTON MODEL 9540 EASY FLOW MANUAL REVOLVING DOOR
• 6'-6" ID X 6'-9 1/2" OD X 7'-2" DLH X 7'-6" OFH

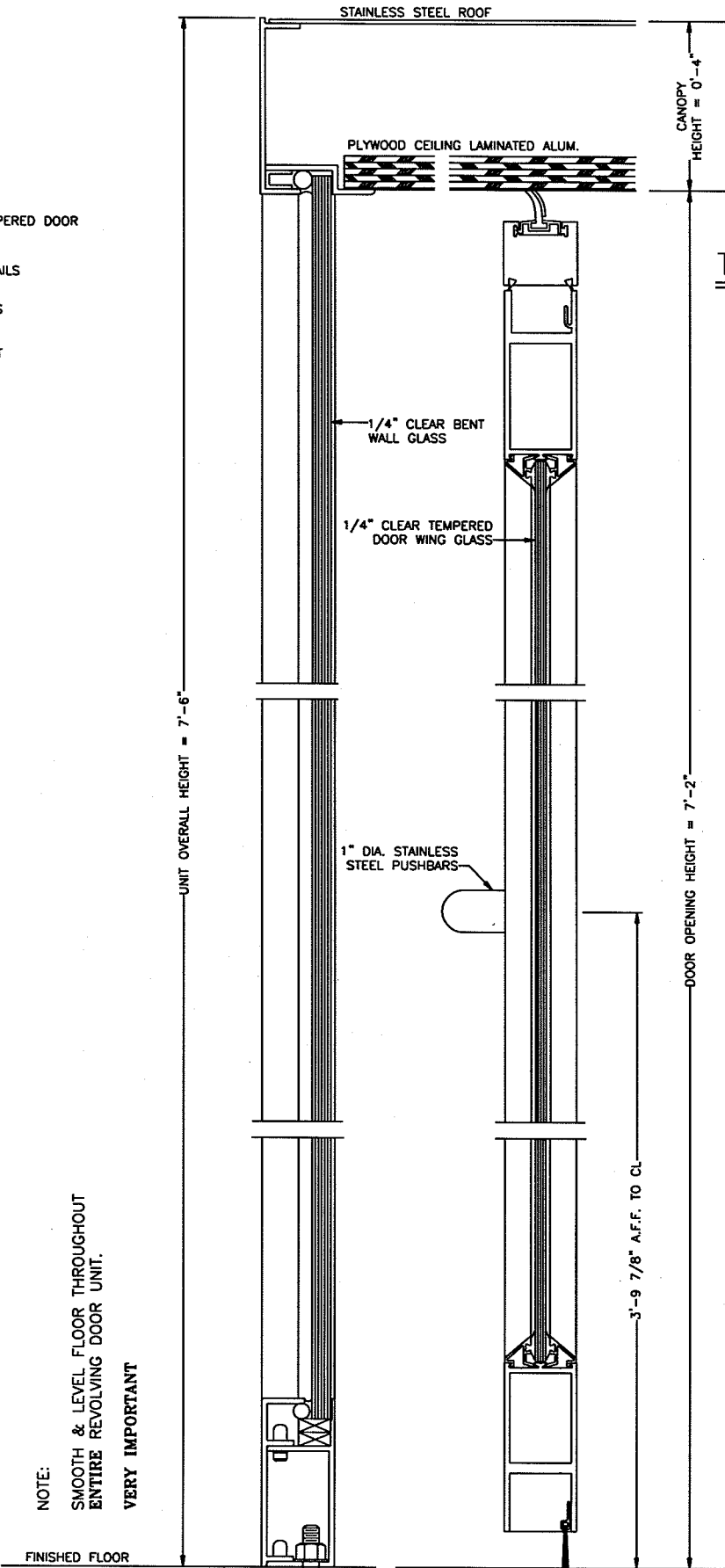
- STANDARD FEATURES**
- FOUR DOOR WINGS
 - ROUND DRUM AND CANOPY DESIGN
 - NARROW STILE AND RAIL CONSTRUCTION, DOOR WINGS
 - 1/4" CLEAR BENT DRUM WALL GLASS
 - PANIC BOOK-FOLD BREAKOUT OF DOOR WINGS
 - MANUAL SPEED CONTROL, MANUAL DOOR OPERATION

- OPTIONS INCLUDED**
- 1" DIAMETER STAINLESS STEEL PUSHBARS
 - CANOPY ROOF AND RAFTER SYSTEM
 - 9" DIA CEILING LIGHTS, TWO
 - STAINLESS STEEL CLADDING, 304-#4 SATIN FINISH
 - 1/4" CLEAR TEMPERED DOOR WING GLASS

EXCLUSIONS

1. ALL MATERIAL AND LABOR NOT LISTED ABOVE.
2. ALL PLANS AND SPEC'S NOT PROVIDED FOR OUR REVIEW.
3. 115VAC ELECTRICAL SERVICE AND HOOK-UP TO THE CEILING LIGHTS.
4. PREP' OF PLUMB AND SQUARE OPENING TO RECEIVE THE REVOLVING DOOR EQUIPMENT, INCLUDING STRUCTURAL SUPPORT IF REQUIRED.
5. PREP' OF SMOOTH AND LEVEL FLOOR, VERY IMPORTANT.
6. ADJACENT DOORS, FRAMES, WALLS, FLOORS AND CEILINGS.
7. CAULK AND CAULKING.
8. DEMOLITION AND REMOVAL OF DEBRIS.
9. PATCH AND MATCH OF EXISTING WALLS, CEILING AND FLOOR SURFACES.
10. BARRICADING AND SAFE REDIRECTION OF TRAFFIC DURING INSTALLATION.
11. BUILDING PERMITS AND STAMPED ARCHITECTURAL DRAWINGS, IF REQUIRED.
12. UNION LABOR, IF REQUIRED, WILL BE PROVIDED BY OUR OWN LABOR FORCES (NJ GLAZIER'S LOCAL 1009). OTHER UNION LABOR IS NOT INCLUDED, BUT CAN BE PROVIDED FOR A PREMIUM.

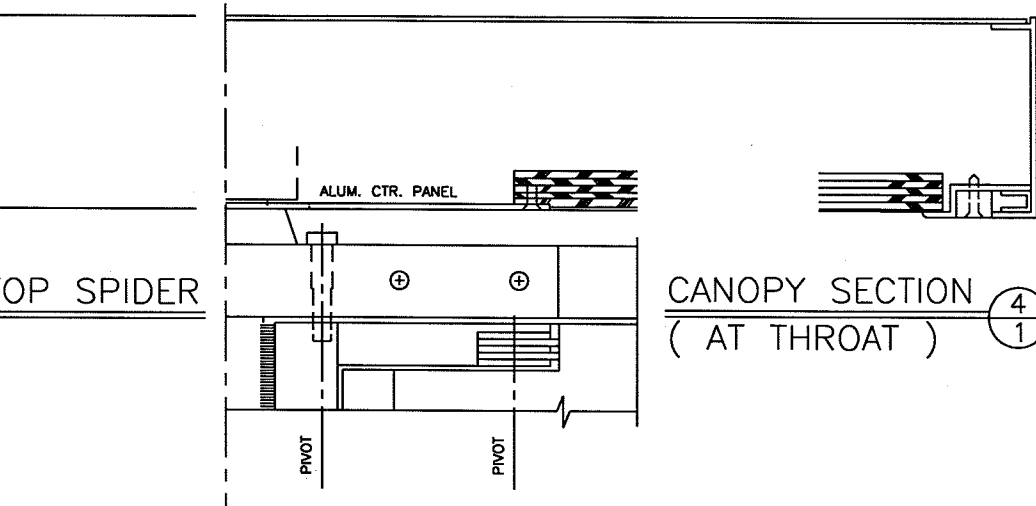
NOTE:
SMOOTH & LEVEL FLOOR THROUGHOUT
ENTIRE REVOLVING DOOR UNIT.
VERY IMPORTANT



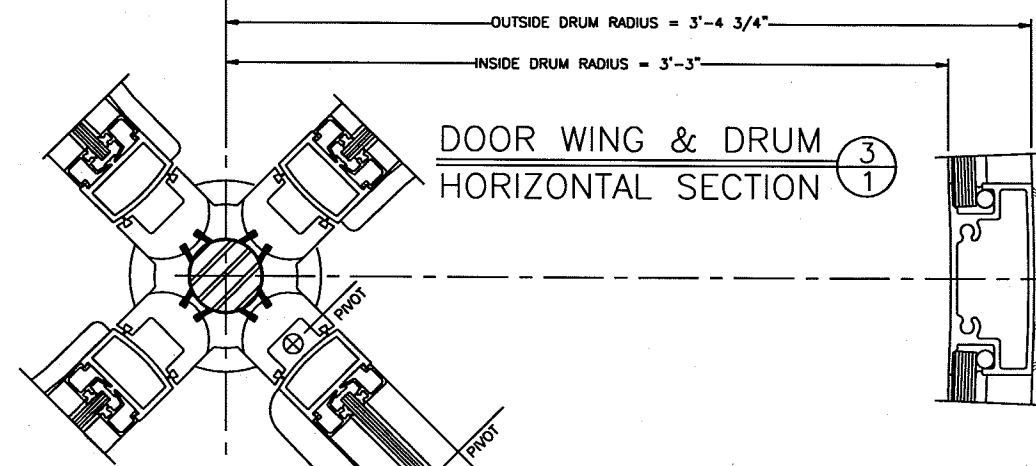
DRUM VERTICAL SECTION ①

DOOR WING VERTICAL SECTION ②

TOP SPIDER



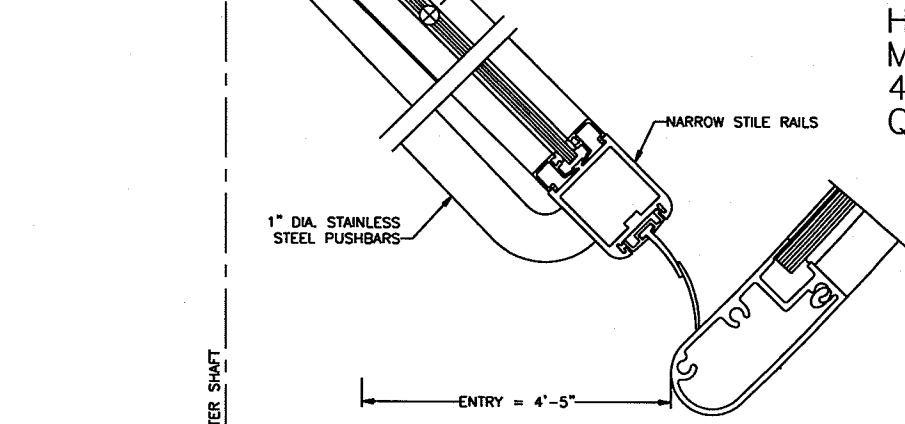
CANOPY SECTION ④
(AT THROAT) ①



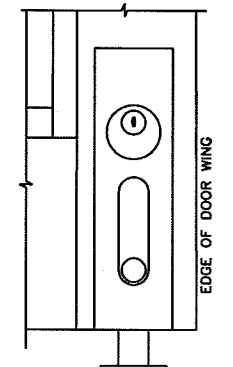
DOOR WING & DRUM HORIZONTAL SECTION ③

CAULK AND CAULKING BY OTHERS

Horton Series 9540
Manual
4-Wing Round
Quarter Size



BOTTOM SPIDER



SURFACE LOCK

DATE :	SCALE : AS NOTED
FILENAME :	JOB NUMBER :
DRAWN BY :	APPROVED BY :
SHEET 1 OF 1	

CUSTOM TITLE BLOCK

REVISIONS	△	△	△
-----------	---	---	---

ARCHITECT NAME	GENERAL CONTRACTOR NAME
ADDRESS	ADDRESS
CITY, STATE, ZIP	CITY, STATE, ZIP

JOB TITLE
JOB AREA
JOB ADDRESS
CITY, STATE, ZIP